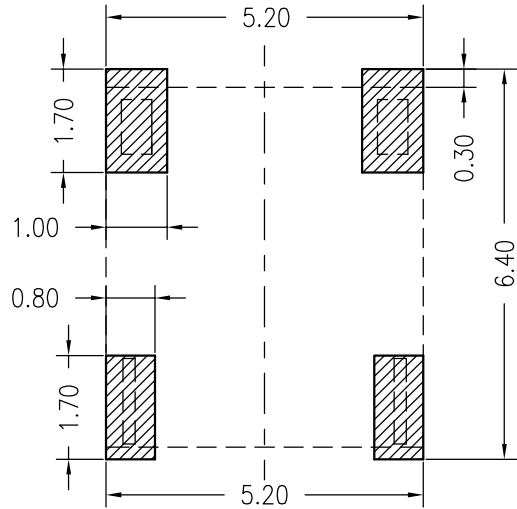
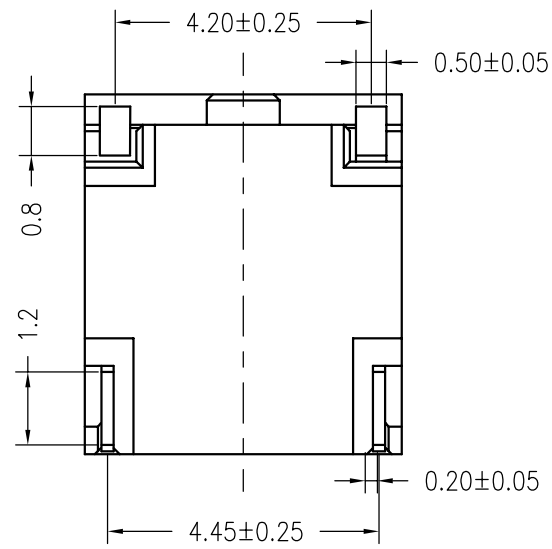
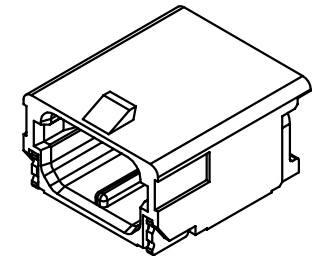
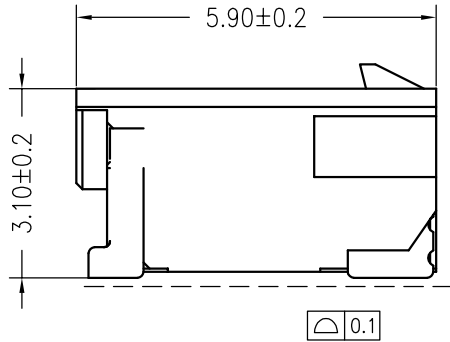
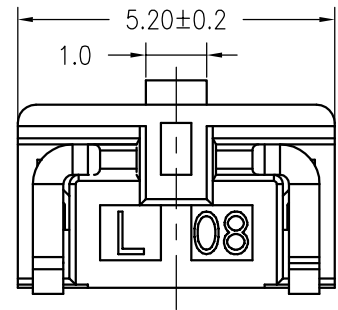


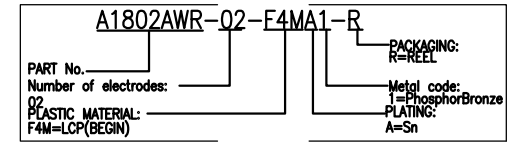
REV	DESIGN	DATE
A0	-	2018.10.26
-	-	-



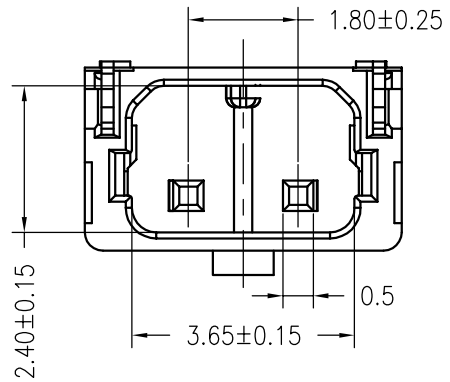
### 主要技术参数 Main Specifications

- 线 数 (Poles): 02
- 接触电阻 (Contact resistance):  $\leq 10m\Omega$
- 绝缘电阻 (Insulation resistance):  $\geq 1000M\Omega$
- 额定电压 (Rated voltage): 350V AC DC
- 额定电流 (Rated current): 4.0A AC DC (AWG22)
- 耐电压 (Withstand Voltage): 1700V AC/minute
- 温度范围 (Temperature Range):  $-25^{\circ}C \sim +85^{\circ}C$

ORDER INFORMATION:



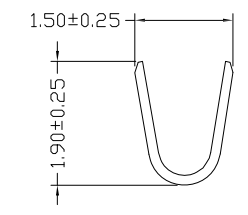
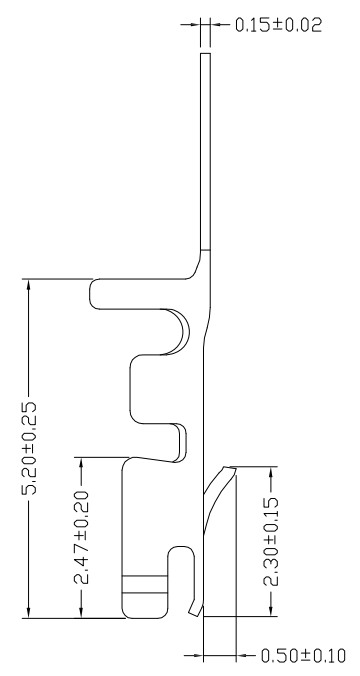
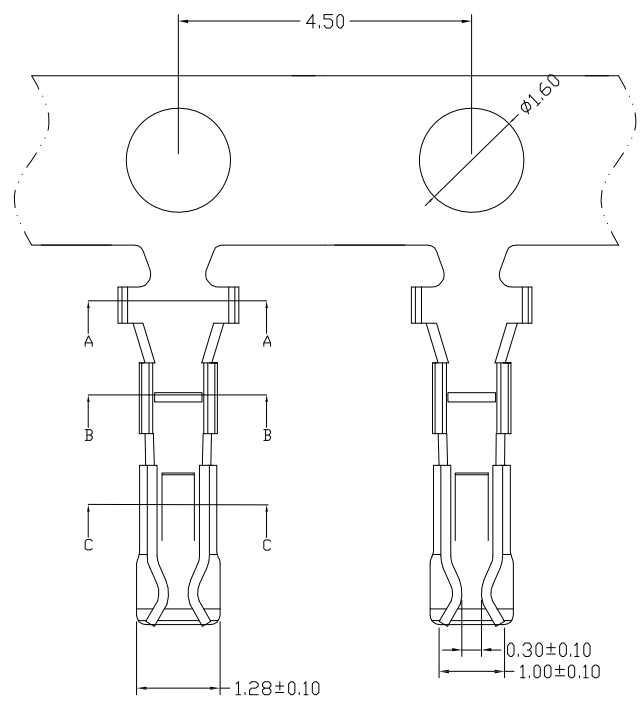
## Board Layout



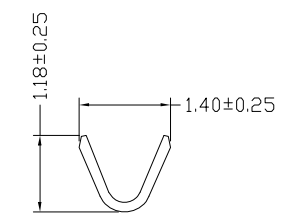
ITEM	COMPONENT	Q'TY	MATERIAL	FINISH
C	SOLDER TAB	2 PCS	PhosphorBronze	Sn-plated
B	CONTACT	2 PCS	PhosphorBronze	Sn-plated
A	HOUSING	1 PCS	LCP	UL 94V-0, COLOR:BEGIN

<b>JKUN 温州健坤接插件有限公司</b> <b>WENZHOU JKUN CONNECTOR CO., LTD.</b>			TITLE: A1802AWR -	
X.±0.5	X.±5'	USE: CUSTOMER APPD: 邵敬和 CHKD: 田峰 DR: 蒋建银	PART NO.:	
.X±0.3	.X±2'		A1802AWR-02-F4MA1-R	
.XX±0.25	.XX±1'		DWG NO.:	
--	--		JKUN-GCCP-0790	
⊕	◁	UNITS: mm	SCALE	SHEET
			1 : 1	1 / 1

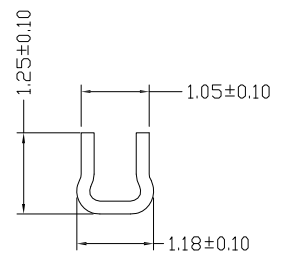
REV	ECN No.	DESCRIPTION	DESIGN	DATE
A0		Release	蒋建银	2018.01.10



SECTION A-A



SECTION B-B

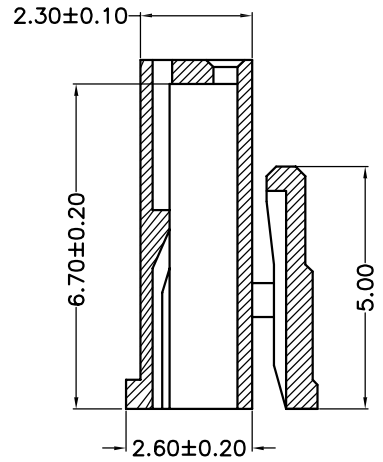
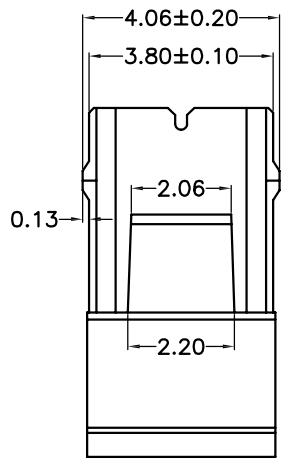
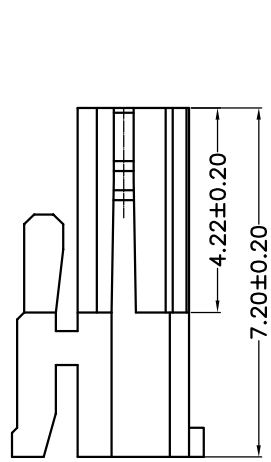


SECTION C-C

### Ordering Information & Specification:

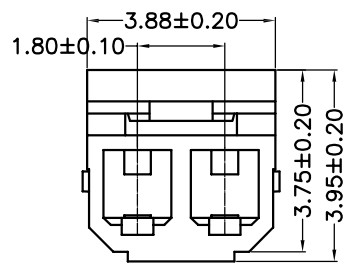
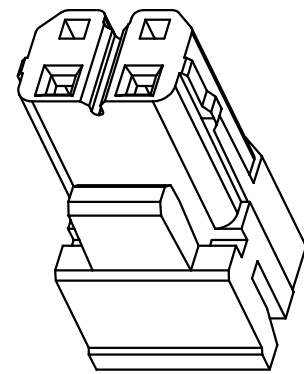
Part NO.	Wire Range	Insulation O.D.	Material	Finish	Qty/reel
A1801T	AWG#26-#30	1.10mm(max)	Phosphor Bronze	Tin over Nickel	20,000PCS
<b>JKUN 温州健坤接插件有限公司</b> WENZHOU JKUN CONNECTOR CO., LTD.				TITLE: 适用1802	
X.±0.5	X.±5'	USE:	PART NO.: A1801T-PA		
.X±0.3	.X±2'	CUSTOMER			
.XX±0.25	.XX±1'	APPD: 邵敬和			
--	--	CHKD: 田峰			
UNITS: mm		DR: 蒋建银	SCALE 1 : 1		SHEET 1 / 1

REV	ECN No.	DESCRIPTION	DESIGN	DATE
A0		Release	蒋建银	2017.06.21



**主要技术参数 Main Specifications**

线 数 (Poles): 02  
 接触电阻 (Contact resistance):  $\leq 10m\Omega$   
 绝缘电阻 (Insulation resistance):  $\geq 1000M\Omega$   
 额定电压 (Rated voltage): 350V AC DC  
 额定电流 (Rated current): 4.0A AC DC (AWG22)  
 耐电压 (Withstand Voltage): 1700V AC/minute  
 温度范围 (Temperature Range):  $-25^{\circ}C \sim +85^{\circ}C$



**ORDER INFORMATION:**

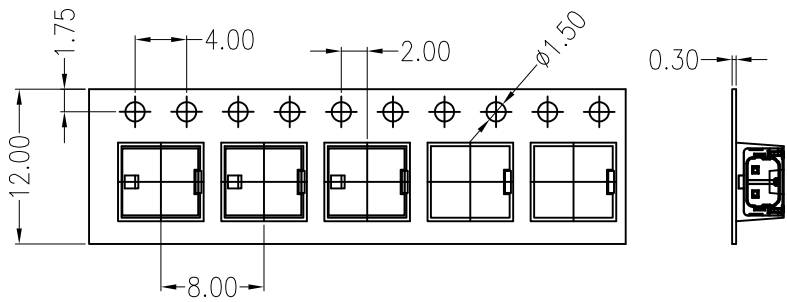
**A1802Y-02-A5W-P**

PART No.	PACKAGING:
No. OF CIRCUITS:	P=PE
02	PLASTIC MATERIAL:
	A5W=PA66 (WHITE)

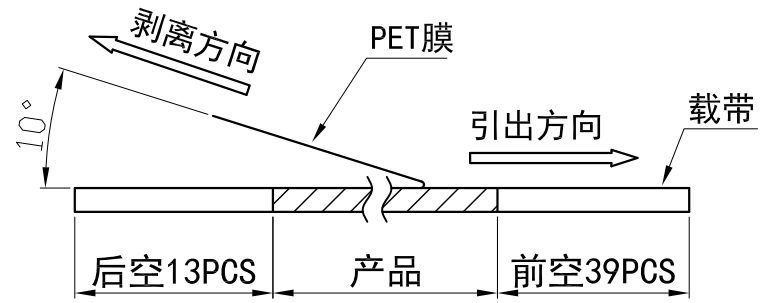
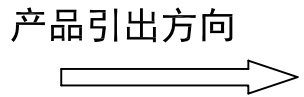
ITEM	COMPONENT	Q'TY	MATERIAL	FINISH
A	PEDESTAL	1 PCS	PA66	COLOR:WHITE

<b>JKUN</b> 温州健坤接插件有限公司 WENZHOU JKUN CONNECTOR CO., LTD.			TITLE: 1.8mmPITCH Housing	
X.±0.5	X.±5'	USE: CUSTOMER	PART NO.:	
.X±0.3	.X±2'		A1802Y-02-A5W-P	
.XX±0.25	.XX±1'	APPD: 邵敬和	DWG NO.:	
--	--	CHKD: 田 峰	JKUN/GCCP-0809	
	UNITS: mm	DR: 蒋建银	SCALE 1 : 1	SHEET 1 / 1

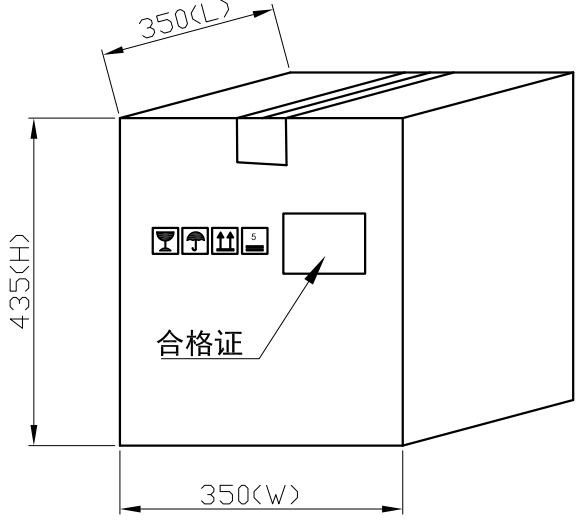
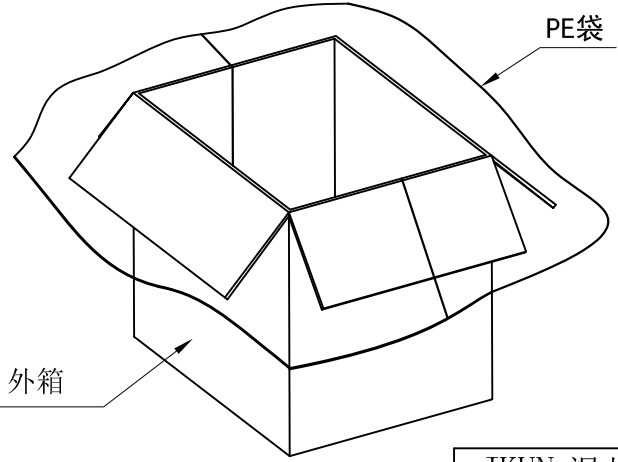
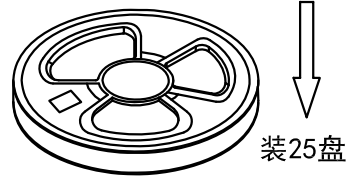
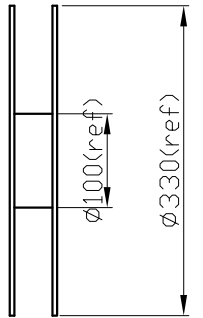
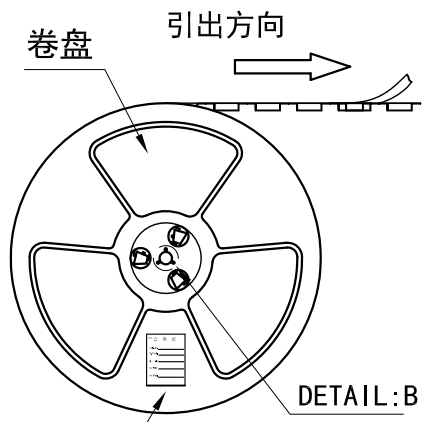
REV	ECN No.	DESCRIPTION	DESIGN	DATE
A		Release	蒋建银	2018.11.29



02 CONTACTS



(PET膜剥离示意图)



- 包装说明:
- 把成品包入卷盘中, 每盘装2000PCS, 卷盘上贴上合格证, 将装好产品的卷盘放进外箱中, 外箱内先套一个大PE袋, 外箱上贴贴上合格证。
  - 所有材料有害物控制需符合RoHS标准。

列表一

Circuits	DIM. D	DIM. E	Q'ty/Reel	Packing (Reel/Caton)
02 PIN	-	12	2000PCS	25/Reel

JKUN 温州健坤接插件有限公司 WENZHOU JKUN CONNECTOR CO., LTD.			TITLE: -	
X.± 0.5	X.±*	USE: MANUFACTURE	PART NO.: A1802AWR-02包装规范	
.X± 0.3	.X±*	APPD: 刘振岭	DWG NO.: JKUN/GCBZ-0790	
.XX±0.25	.XX±*	CHKD: 王亮	SCALE 1 : 1	
--	--	DR: 蒋建银	SHEET 1 / 1	
UNITS: mm				