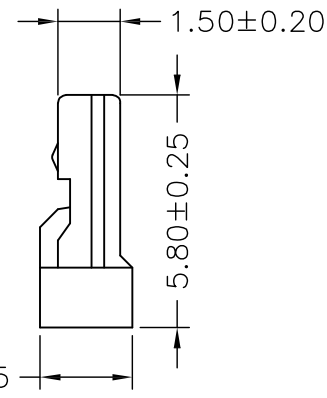
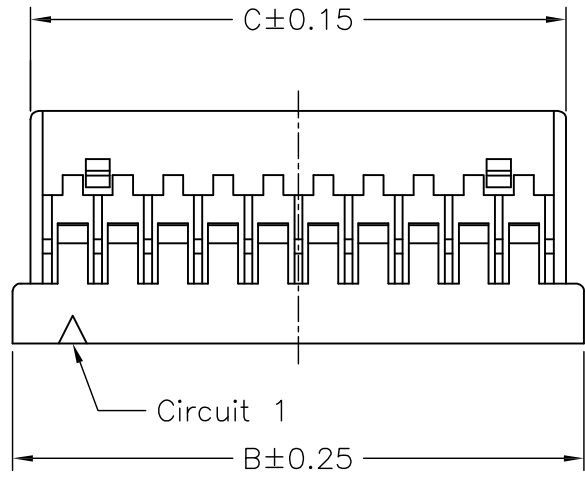
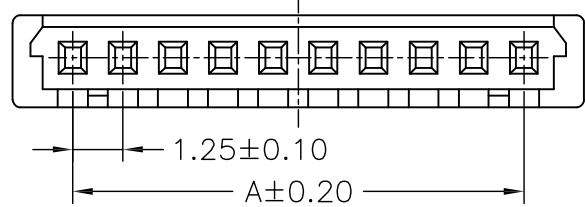
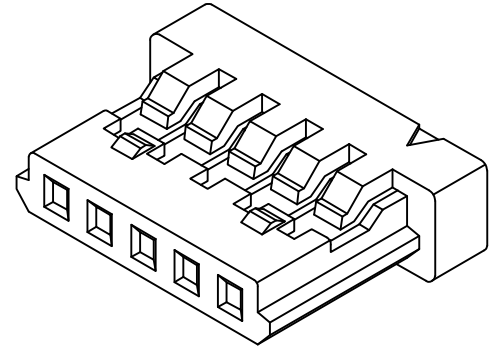
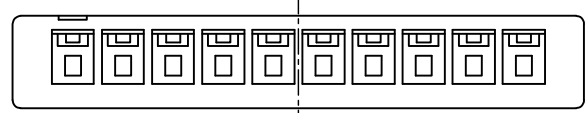
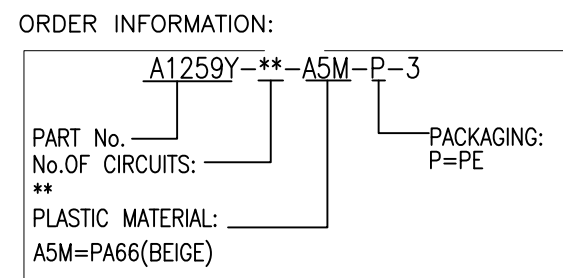


REV	DESCRIPTION	DESIGN	DATE
A0	NEW RELEASE	蒋建银	2020/12/16

PIN	DIM A	DIM B	DIM C
2	1.25	4.45	3.40
3	2.5	5.7	4.65
4	3.75	6.95	5.90
5	5.0	8.2	7.15
6	6.25	9.45	8.40
7	7.5	10.7	9.65
8	8.75	11.95	10.90
9	10.0	13.2	12.15
10	11.25	14.45	13.40
11	12.5	15.7	14.65
12	13.75	16.95	15.90
13	15.0	18.2	17.15
14	16.25	19.45	18.40
15	17.5	20.7	19.65



Specifications:
 Contact resistance: ≤30mΩ
 Insulation resistance: ≥500MΩ
 Rated voltage: 150V AC DC
 Rated current: 1.0A AC DC
 Withstand Voltage: 500V AC/minute
 Temperature Range: -25℃ ~ +85℃
 Housing: PA66 UL94V-0, Natural (Beige)



JKUN 温州健坤接插件有限公司 WENZHOU JKUN CONNECTOR CO.,LTD.		TITLE: 1.25mm housing	
GENERAL TOLERANCE		USE: CUSTOMER	PART NO.:
X. ±0.50	X. ±5°	APPD: 邵敬和	A1259Y-**-A5M-P-3
X.X ±0.30	X.X ±2°	CHKD: 曾令青	DWG NO.:
X.XX ±0.20	X.XX ±1°	DR: 蒋建银	-
UNITS: mm		SCALE 1 : 1	SHEET 1 / 1